



REMOTE BALANCE BAR CABLE ADJUSTER P/N 340-4990

WARNING

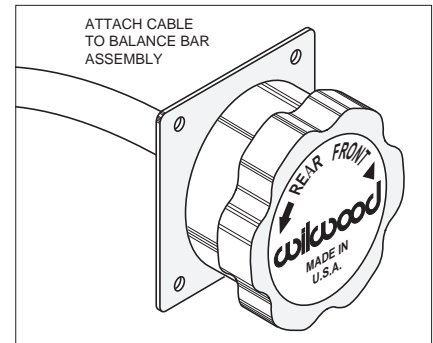
IT IS THE RESPONSIBILITY OF THE PERSON INSTALLING ANY BRAKE COMPONENT OR KIT TO DETERMINE THE SUITABILITY OF THE COMPONENT OR KIT FOR THAT PARTICULAR APPLICATION. IF YOU ARE NOT SURE HOW TO SAFELY USE THIS BRAKE COMPONENT OR KIT, YOU SHOULD NOT INSTALL OR USE IT. DO NOT ASSUME ANYTHING. IMPROPERLY INSTALLED OR MAINTAINED BRAKES ARE DANGEROUS. IF YOU ARE NOT SURE, GET HELP OR RETURN THE PRODUCT. YOU MAY OBTAIN ADDITIONAL INFORMATION AND TECHNICAL SUPPORT BY CALLING WILWOOD AT (805) 388-1188, OR VISIT OUR WEB SITE AT WWW.WILWOOD.COM. USE OF WILWOOD TECHNICAL SUPPORT DOES NOT GUARANTEE PROPER INSTALLATION. **YOU**, OR THE PERSON WHO DOES THE INSTALLATION MUST KNOW HOW TO PROPERLY USE THIS PRODUCT. IT IS NOT POSSIBLE OVER THE PHONE TO UNDERSTAND OR FORESEE ALL THE ISSUES THAT MIGHT ARISE IN YOUR INSTALLATION.

RACING EQUIPMENT AND BRAKES MUST BE MAINTAINED AND SHOULD BE CHECKED REGULARLY FOR FATIGUE, DAMAGE, AND WEAR.

GENERAL INFORMATION:

Wilwood's **Remote Balance Bar Cable Adjuster** is used with balance bars to adjust front-to-rear brake bias during changing race conditions. The highly visible bright blue knob features a special bi-directional detente control providing the driver with positive adjustment feedback. The special five foot cable and housing maintain maximum flex for easy installation and function.

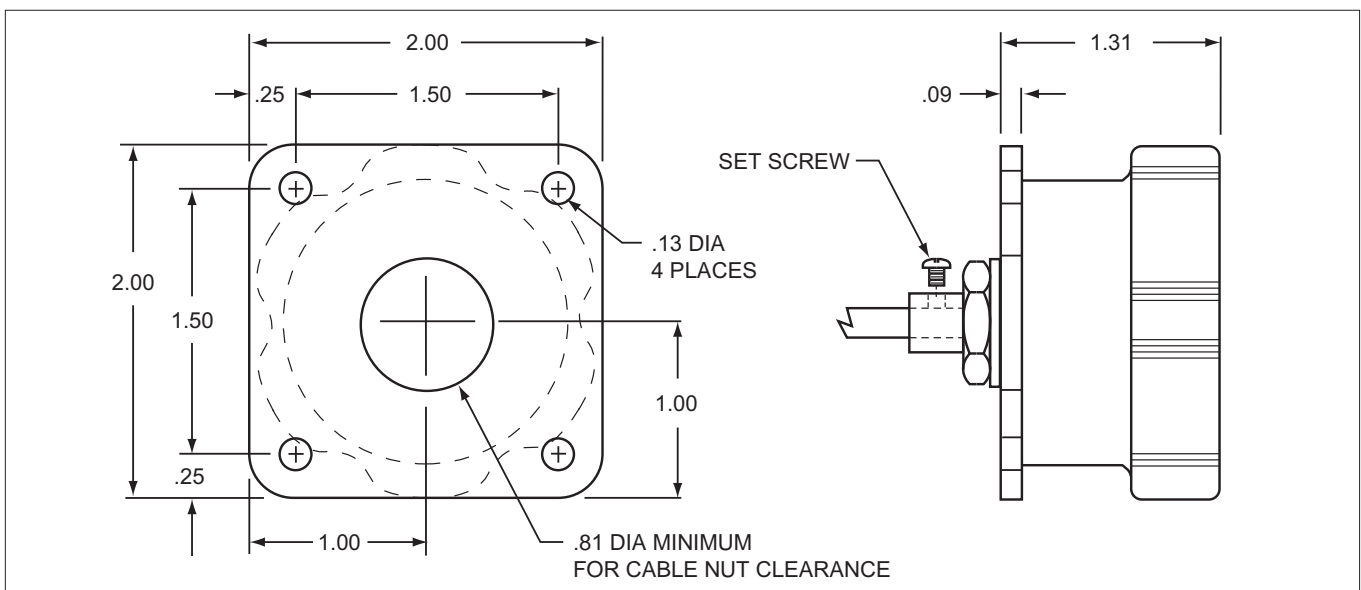
The assembly comes with two label faces for front-to-rear or rear-to-front adjustment. Standard 3/8-24 thread fits Wilwood and most commonly used balance bars.



Wilwood's Remote Balance Bar Cable Adjuster

INSTALLATION INSTRUCTIONS:

Layout and measure the correct length necessary for your cable being careful to avoid any tight bends which may cause cable binding. Cut cable to the required length and braze cable end to avoid cable fraying. Remove balance bar jam nut and install cable into the balance bar. Mount knob assembly (see diagram below) in desired location and insert cable into the knob assembly. Apply Loctite® 271 to the set screw to secure the cable. Use cable clamps provided to secure cable to prevent cable movement during use. When installation is complete, install appropriate front-to-rear rotational label face (decals) in knob assembly. Test vehicle at slow and controllable speeds for initial adjuster settings.



REMOTE BRAKE BIAS ADJUSTER, MOUNTING PLATE MOUNTING DIMENSIONS

WARNING • DO NOT DRIVE ON UNTESTED BRAKES
BRAKES MUST BE TESTED AFTER INSTALLATION OR MAINTENANCE
MINIMUM TEST PROCEDURE

- Make sure pedal is firm: Hold firm pressure on pedal for several minutes, it should remain in position without sinking. If pedal sinks toward floor, check system for fluid leaks. DO NOT drive vehicle if pedal does not stay firm or can be pushed to the floor with normal pressure.
- At very low speed (2-5 mph) apply brakes hard several times while turning steering from full left to full right, repeat several times. Remove the wheels and check that components are not touching, rubbing, or leaking.
- Carefully examine all brake components, brake lines, and fittings for leaks and interference.
- Make sure there is no interference with wheels or suspension components.
- Drive vehicle at low speed (15-20 mph) making moderate and hard stops. Brakes should feel normal and positive. Again check for leaks and interference.
- Always test vehicle in a safe place where there is no danger to (or from) other people or vehicles.
- Always wear seat belts and make use of all safety equipment.